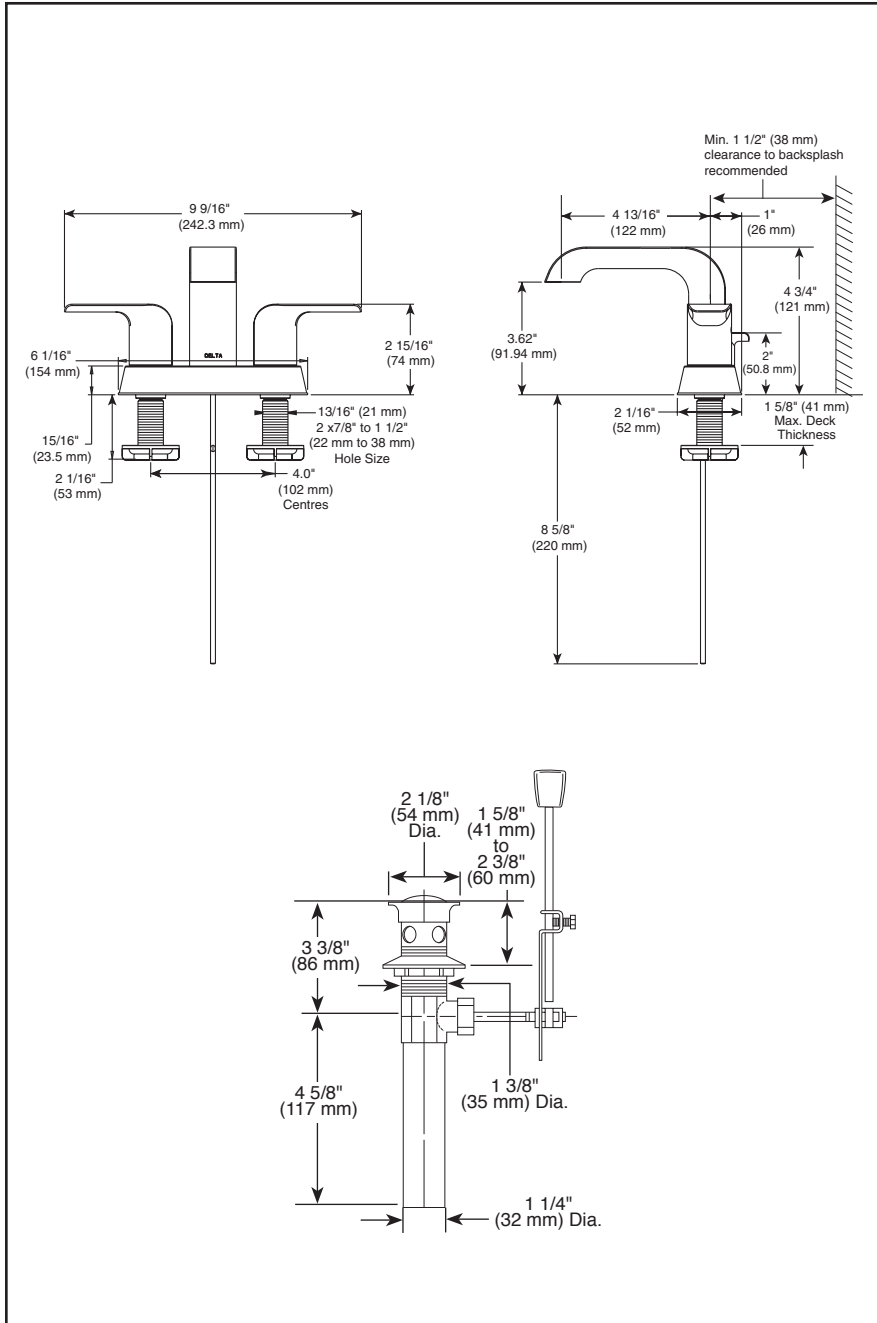


Submitted Model No.: _____
 Specific Features: _____



▲ Designate proper finish suffix



LAVATORY FAUCETS

- Kitano™ Collection
- Two Handle Deck Mount

STANDARD SPECIFICATIONS:

- Maximum 1.20 gpm @ 60 psi, 4.5 L/min @ 414 kPa
- Three hole mount
- ¼ turn handle stops
- Poly braided supply lines
- Hot/Cold indicator
- Models have 50/50 drain with pop-up type fitting with plated flange and stopper

WARRANTY

- Lifetime limited warranty on parts (other than electronic parts and batteries) and finishes: or, for commercial users, for 5 years from date of purchase.
- 5 year limited warranty on electronic parts (other than batteries); or, for commercial users, for 1 year from the date of purchase. No warranty is provided on batteries.



COMPLIES WITH:

- ASME A112.18.1 / CSA B125.1
- ASME A112.18.2 / CSA B125.2
- Indicates ADA compliance to ICC/ANSI A117.1
- EPA WaterSense®
- Verified compliant with 0.25% weighted average Pb content regulations.



55 E. 111th Street, Indianapolis, Indiana 46280
 350 South Edgeware Road, St. Thomas, ON N5P 4L1
 © 2018 Masco Corporation of Indiana