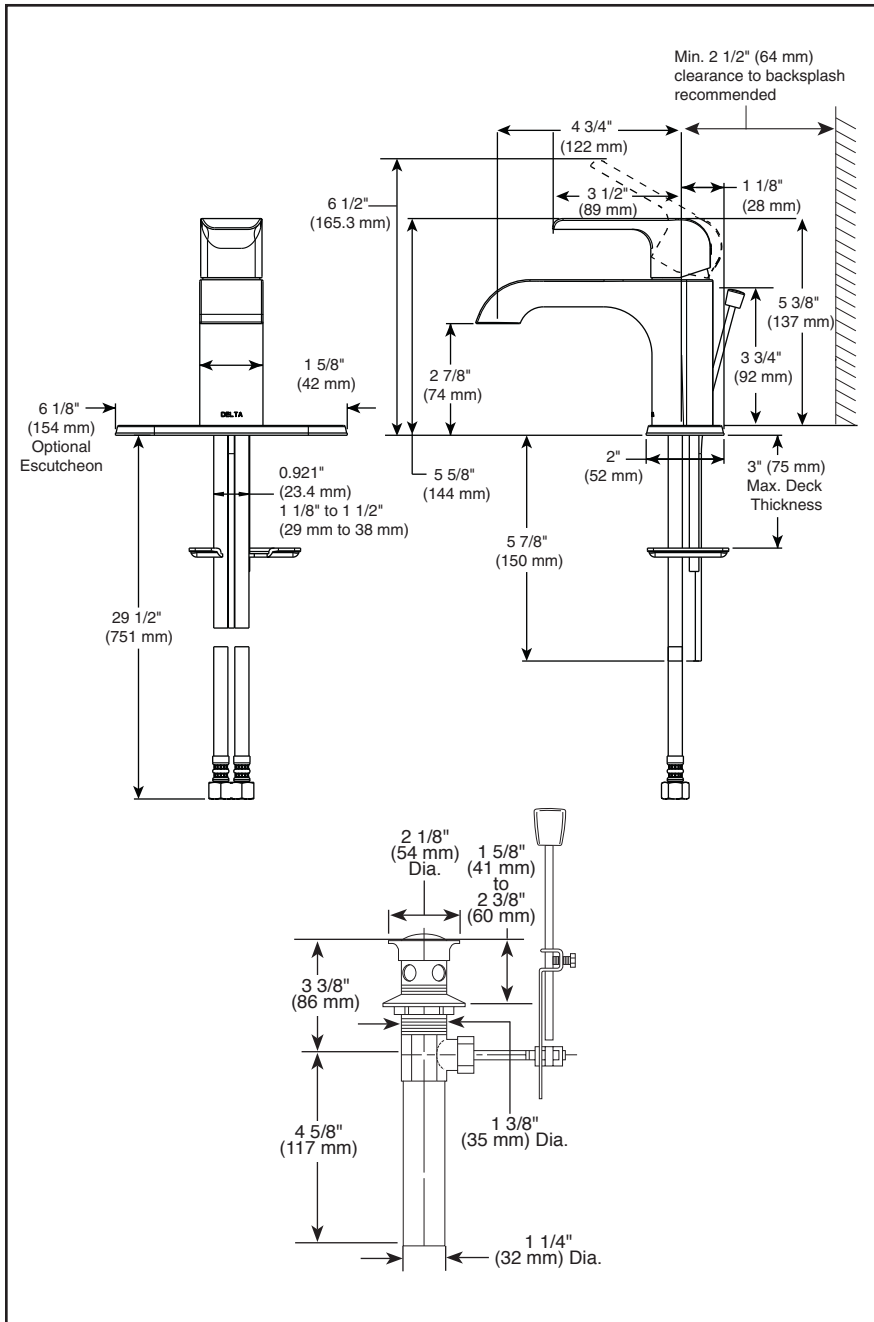


Submitted Model No.: \_\_\_\_\_  
 Specific Features: \_\_\_\_\_



▲ Designate proper finish suffix

Delta reserves the right (1) to make changes in specifications and materials, and (2) to change or discontinue models, both without notice or obligation. Dimensions are for reference only. See current full-line price book or [www.specselect.com](http://www.specselect.com) for finish options and product availability.

DSP-L-563LF



## LAVATORY FAUCETS

- Kitano™ Collection
- Single Handle Deck Mount
- 1 or 3 Hole Sink Applications

### STANDARD SPECIFICATIONS:


- Single handle lavatory deck faucet
- 1 or 3 hole sink applications
- Order RP100784 optional 6-1/8" escutcheon plate for 3-hole sink installation – not included
- Maximum 1.2 gpm @ 60 psi, 4.5 L/min @ 414 kPa
- Poly-braided supply lines
- Hot/Cold indicator
- Models have 50/50 drain with pop-up type fitting with plated flange and stopper

### WARRANTY

- Lifetime limited warranty on parts (other than electronic parts and batteries) and finishes: or, for commercial users, for 5 years from date of purchase.
- 5 year limited warranty on electronic parts (other than batteries); or, for commercial users, for 1 year from the date of purchase. No warranty is provided on batteries.



### COMPLIES WITH:

- ASME A112.18.1 / CSA B125.1
- ASME A112.18.2 / CSA B125.2
-  Indicates ADA compliance to ICC/ANSI A117.1
- EPA WaterSense®
- Verified compliant with 0.25% weighted average Pb content regulations.



55 E. 111th Street, Indianapolis, Indiana 46280  
 350 South Edgeware Road, St. Thomas, ON N5P 4L1  
 © 2018 Masco Corporation of Indiana